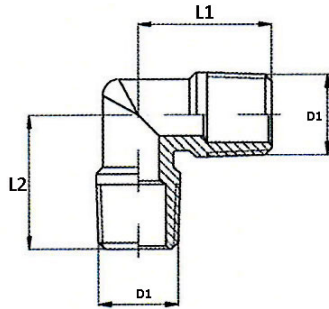


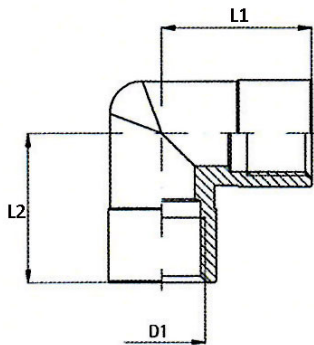
Operating temperature
 Operating pressure

 -20 °C to 150 °C
 max. 150 bar


ES 253.01

Elbow, male/male, conical acc. to ISO 7-1

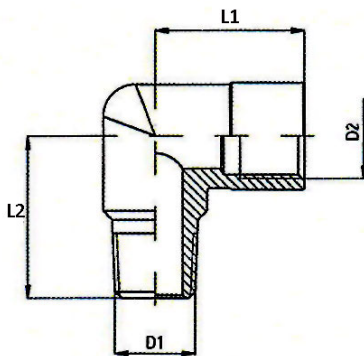
Art. No.	Type No.	D1 mm	D2 mm	L1 mm	L2 mm
112806	ES 253.00	R 1/8	R 1/8	17.0	17.0
112807	ES 253.01	R 1/4	R 1/4	21.0	21.0
112808	ES 253.02	R 3/8	R 3/8	24.0	24.0
112809	ES 253.03	R 1/2	R 1/2	30.0	30.0



ES 253.12

Elbow, female/female, parallel acc. to DIN EN ISO 228-1

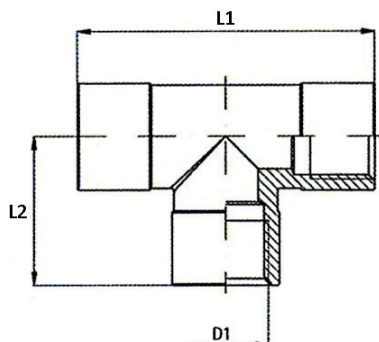
Art. No.	Type No.	D1 mm	L1 mm	L2 mm
112810	ES 253.11	G 1/8	22.0	22.0
112811	ES 253.12	G 1/4	26.0	26.0
112812	ES 253.13	G 3/8	28.0	28.0
112813	ES 253.14	G 1/2	34.0	34.0



ES 253.15

Elbow, male/female, male: conical ISO 7-1, female: parallel DIN EN ISO 228-1

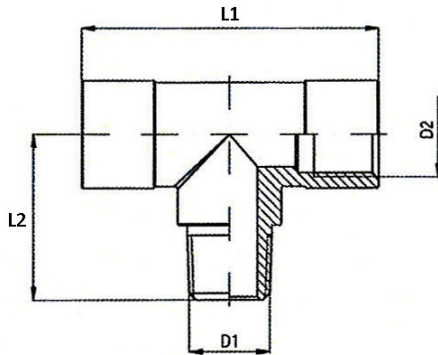
Art. No.	Type No.	D1 mm	D2 mm	L1 mm	L2 mm
112814	ES 253.15	R 1/8	G 1/8	22.0	17.0
112815	ES 253.16	R 1/4	G 1/4	26.0	21.5
112816	ES 253.17	R 3/8	G 3/8	28.0	24.5
112817	ES 253.18	R 1/2	G 1/2	34.0	30.5



ES 254.34

Tee, female/female/female, parallel acc. to DIN EN ISO 228-1

Art. No.	Type No.	D1 mm	L1 mm	L2 mm
112818	ES 254.33	G 1/8	44.0	22.0
112819	ES 254.34	G 1/4	52.0	26.0
112820	ES 254.35	G 3/8	56.0	28.0
112821	ES 254.39	G 1/2	68.0	34.0



ES 254.42

Tee, female/male/female, male=conical ISO 7-1, female=parallel DIN EN ISO 228-1

Art. No.	Type No.	D1 mm	D2 mm	L1 mm	L2 mm
112822	ES 254.41	R 1/8	G 1/8	44.0	17.0
112823	ES 254.42	R 1/4	G 1/4	52.0	21.5
112824	ES 254.43	R 3/8	G 3/8	56.0	24.5
112825	ES 254.44	R 1/2	G 1/2	68.0	30.5